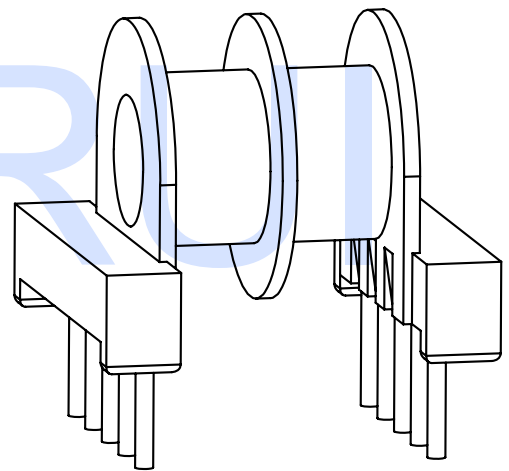
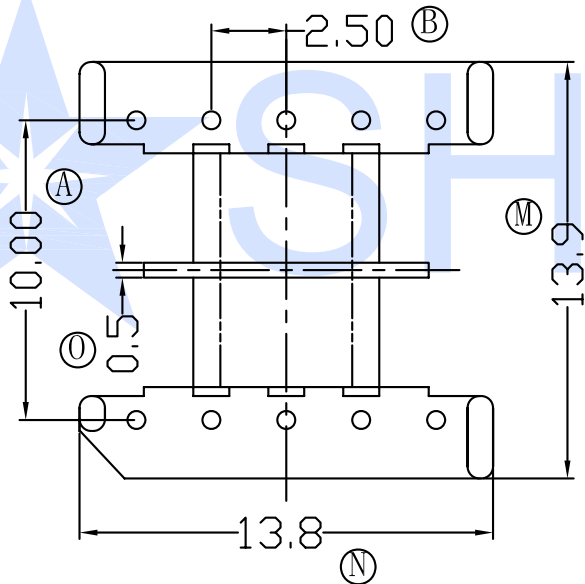
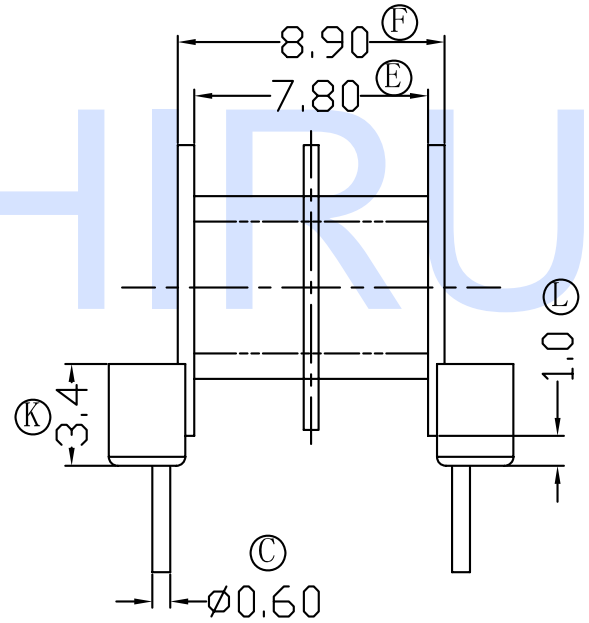
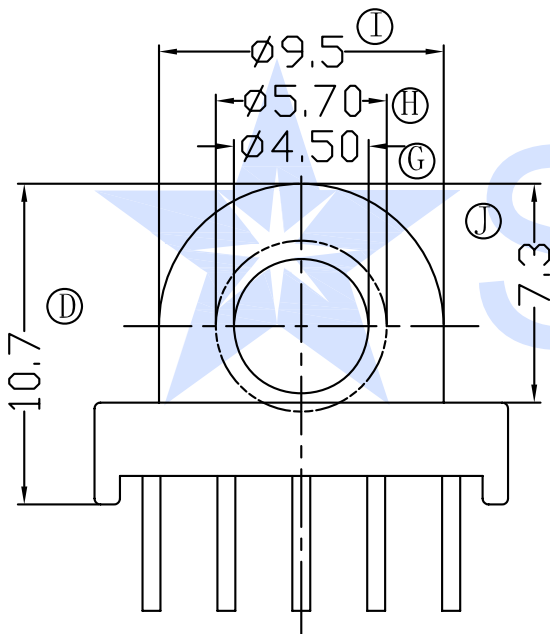


P/N

SR-EP 1301-1



**Hefei Shirui Electronic Technology Co.,Ltd**

TEL: (0086) 55165232650

sales@shiruitech.com

www.shiruitech.com

SR NO.

SR-EP 1301-1

MATERIAL:

PHENOLIC

UNIT: mm

TOLERANCE

DRN.

WILL H

MODEL NAME!

EP13-10P-2S H

UL REC: UL 94V-0

ANGLE: ±°



SCALE 1:1

0 L 4 ±0.10

4 L 16 ±0.20

16 L 64 ±0.30

PIN PITCH ±0.05

CHD.

IRINA LEE

ISSD.

JAMES HU